

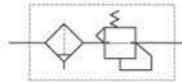
Filter + regulator AW series

1
Air
combination



AW2000-02 AW3000-03D AW3000-03A AW5000-10

Symbol:



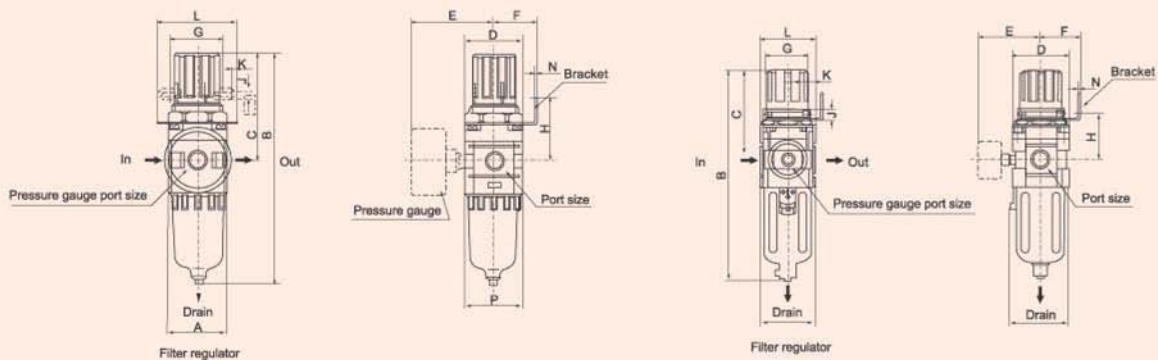
How to order

AW	2000	-	02	D
Filter regulator	Body size		Port size	Drain type
	1000		M5:M5	Nil: Manual drain
	2000		02:1/4	A: Semi automatic drain
	3000		03:3/8	D: Automatic drain
	4000		04:1/2	
	5000		06:3/4	
			10:1	

Specification

Model	AW1000-M5 AW1000-M5A AW1000-M5D	AW2000-02 AW2000-02A AW2000-02D	AW3000-02 AW3000-02A AW3000-02D	AW3000-03 AW3000-03A AW3000-03D	AW4000-03 AW4000-03A AW4000-03D	AW4000-04 AW4000-04A AW4000-04D	AW4000-06 AW4000-06A AW4000-06D	AW5000-06 AW5000-06A AW5000-06D	AW5000-10 AW5000-10A AW5000-10D
Port size RC(PT)	M5X0.8	1/4"	1/4"	3/8"	3/8"	1/2"	3/4"	3/4"	1"
Pressure gauge port size	1/16"	1/8"	1/8"	1/8"	1/8"	1/4"	1/4"	1/4"	1/4"
Flow rate (L/Min)	100	550	2000	2000	4000	4000	4500	5500	5500
Fluid	Air								
Proof pressure	1.5Mpa(15.3kgf/cm ²)								
Max. operating pressure	1.0Mpa(10.2kgf/cm ²)								
Ambient & fluid temperature	5-60°C								
Nominal filtration rate	5µM								
Adjustable pressure range	0.05-0.7Mpa								
Bracket	B120	B220	B320	B320	B420	B420	B420	B420	B420
Pressure gauge	Y30-10-M5	Y40-6-1/8	Y40-6-1/8	Y40-10-1/8	Y50-6-1/4	Y50-10-1/4			
Weight (kg)	0.09	0.36	0.56	0.56	1.15	1.15	1.21	2	2
Main parts material	Aluminum alloy								
	PC								
	AW1000-AW2000: without AW3000-AW5000: with (Iron)								

Dimension



Model	Port size	A	B	C	D	F	G	H	J	K	L	M	φN	P
AW1000	M5x0.8	25	109.5	50.5	25	25	38	30	4.5	6.5	40	2.0	20.5	28
AW2000	1/4"	43	164.5	78	40	30	34	45	5.5	10.54	55	2.3	33.5	40
AW3000	1/4", 3/8"	53	211	92.5	53	41	41	46	6.5	8.0	53	2.3	42.5	56
AW4000	3/8", 1/2"	70	262.5	112	70	50	50	54	8.5	10.5	70	2.3	52.5	73
AW4000-06	3/4"	75	267	114	70	50	50	56	8.5	10.5	70	2.3	52.5	73